



Dual 2.5" SAS/SATA Drive Kit (MCP-220-84610-0N)

Quick Installation Guide

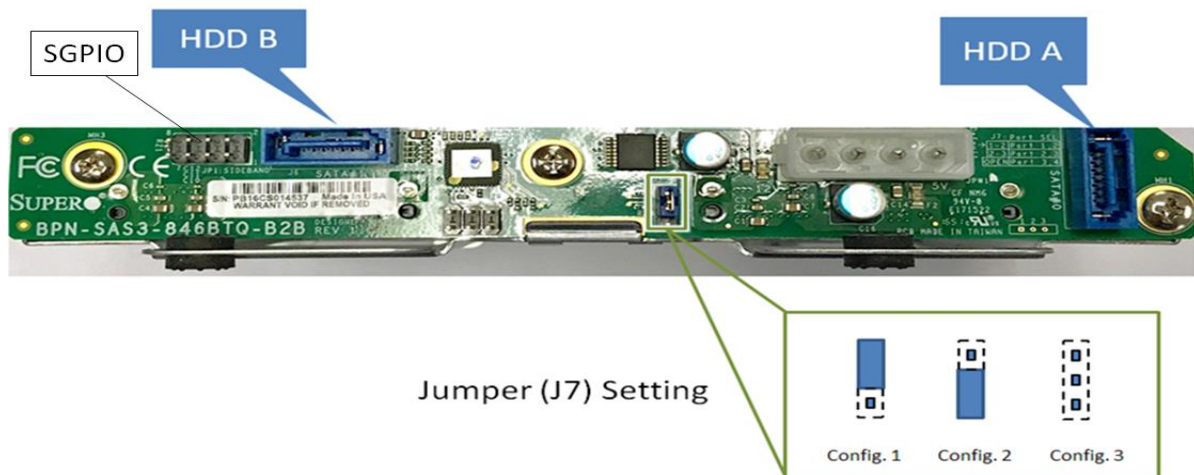
This kit provides additional storage for Supermicro's Superchassis. Key features include:

- Dual 2.5" hot-swappable capacity; support 12 Gbps/SAS3 and 6 Gbps/SATA3.
- 3 SAS/SATA port settings (compatible with MCP-220-84606-0N) to support additional SGPIO header for drive status (Fail, Locate, etc.) LED indicators.
- New patented 2.5" tool-less drive trays.
- Compatible with SC846B chassis.

Packing List:

Part Number	Description	Quantity
CBL-0481L	SATA S-S cable (81 cm)	2
CBL-CDAT-0841	8 pin-to-8 pin SGPIO cable (81 cm)	1
MCP-220-00147-0B	2.5" hot-swappable tool-less drive tray	2
BPN-SAS3-846BTQ-B2B	12Gbps backplane for 2.5" SAS/SATA drives	1
Misc.	Metal cage, mounting screws and labels	-
Optional 12G cable:		
CBL-SAST-0699	Internal mini SAS HD to 4 SATA cable (12G, 75/75/90/90cm with 75cm SB, S. 30AWG)	

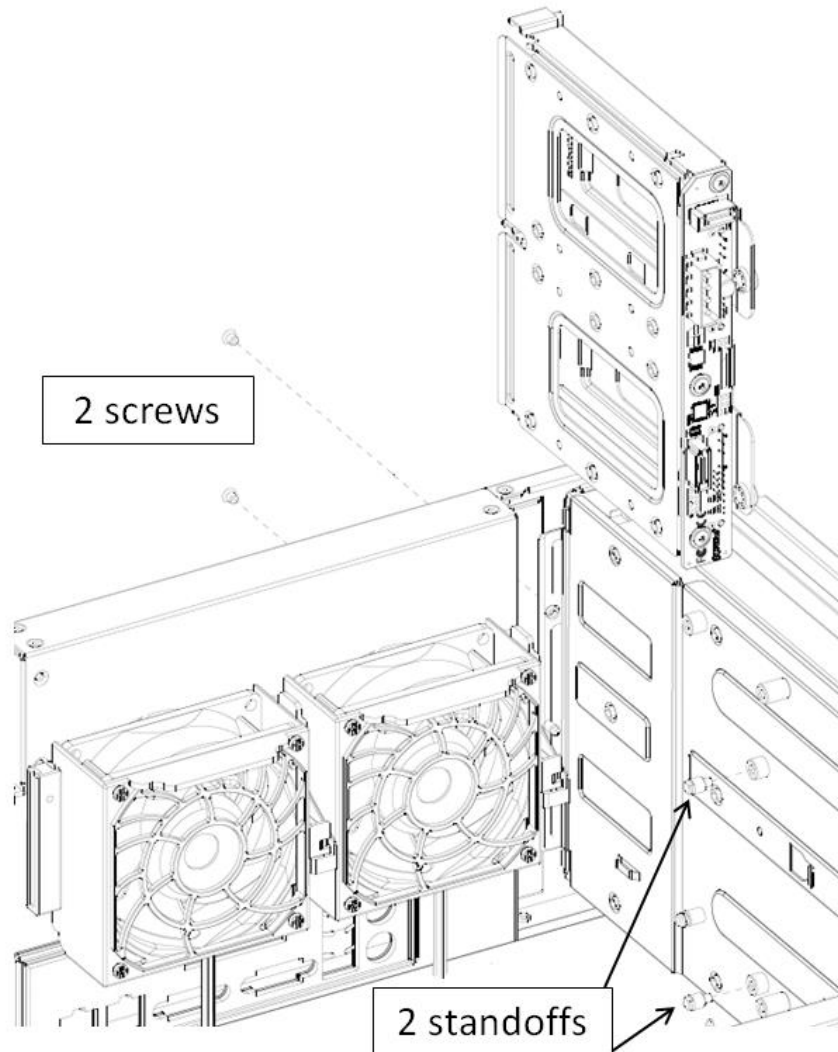
SAS/SATA Port Jumper Settings:



Configuration	J7	HDD A (Top)	HDD B (Bottom)
1 (default)	Pin 1 – 2	SAS/SATA #0	SAS/SATA #1
2	Pin 2 – 3	SAS/SATA #1	SAS/SATA #2
3	Open	SAS/SATA #2	SAS/SATA #3

Note: The **jumper setting** needs to match the corresponding SGPIO header. If the setting is incorrect, the status LEDs will not function properly.

Drive kit mounting location (rear side of SC846B chassis):



Installation:

1. Remove the drive trays: mount the 2 standoff pins on the chassis wall, slide the drive cage in position and secure with 2 screws from the rear side.
2. Connect SATA cables, SGPIO and power cable.
3. Install drives and tool-less drive trays to complete the installation.