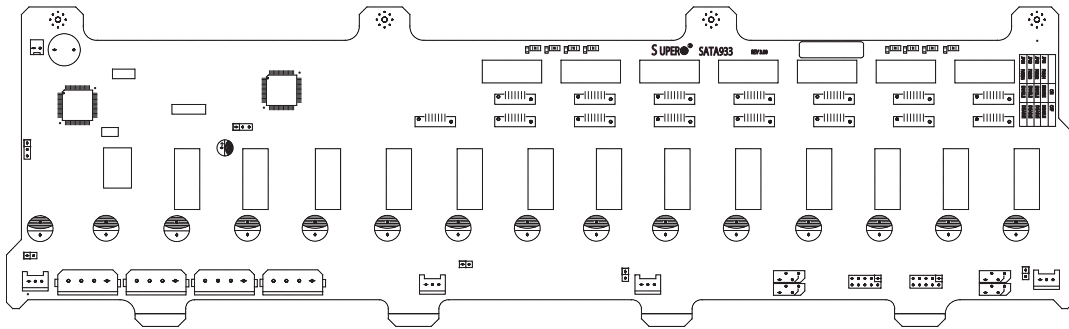


# SUPERO®



## BPN-SATA-933 BACKPLANE

### USER'S GUIDE

Rev. 1.0

The information in this User's Manual has been carefully reviewed and is believed to be accurate. The vendor assumes no responsibility for any inaccuracies that may be contained in this document, makes no commitment to update or to keep current the information in this manual, or to notify any person or organization of the updates. **Please Note: For the most up-to-date version of this manual, please see our web site at [www.supermicro.com](http://www.supermicro.com).**

Super Micro Computer, Inc. ("Supermicro") reserves the right to make changes to the product described in this manual at any time and without notice. This product, including software, if any, and documentation may not, in whole or in part, be copied, photocopied, reproduced, translated or reduced to any medium or machine without prior written consent.

IN NO EVENT WILL SUPERMICRO BE LIABLE FOR DIRECT, INDIRECT, SPECIAL, INCIDENTAL, SPECULATIVE OR CONSEQUENTIAL DAMAGES ARISING FROM THE USE OR INABILITY TO USE THIS PRODUCT OR DOCUMENTATION, EVEN IF ADVISED OF THE POSSIBILITY OF SUCH DAMAGES. IN PARTICULAR, SUPERMICRO SHALL NOT HAVE LIABILITY FOR ANY HARDWARE, SOFTWARE, OR DATA STORED OR USED WITH THE PRODUCT, INCLUDING THE COSTS OF REPAIRING, REPLACING, INTEGRATING, INSTALLING OR RECOVERING SUCH HARDWARE, SOFTWARE, OR DATA.

Any disputes arising between manufacturer and customer shall be governed by the laws of Santa Clara County in the State of California, USA. The State of California, County of Santa Clara shall be the exclusive venue for the resolution of any such disputes. Super Micro's total liability for all claims will not exceed the price paid for the hardware product.

---

Manual Revision 1.0

Release Date: February 8, 2008

Unless you request and receive written permission from SUPER MICRO COMPUTER, you may not copy or otherwise reproduce/distribute any part of this document.

Information in this document is subject to change without notice. Other products and companies referred to herein are trademarks or registered trademarks of their respective companies or mark holders.

Copyright © 2008 by SUPER MICRO COMPUTER INC.  
All rights reserved.

**Printed in the United States of America**

# Table of Contents

## **Chapter 1 Safety Guidelines**

1-1	ESD Safety Guidelines .....	1-1
1-2	General Safety Guidelines .....	1-1
1-3	An Important Note to Users .....	1-2

## **Chapter 2 Jumper Settings and Pin Definitions**

2-1	Front Connectors and Jumpers .....	2-1
	Front Connectors .....	2-1
2-2	Front Connector and Pin Definitions.....	2-3
2-3	Front Jumper Locations and Pin Definitions.....	2-4
	Fan Jumper Settings.....	2-4
	Explanation of Jumpers .....	2-4
	Front LED Indicators .....	2-5
2-4	Rear Connectors and LED Indicators .....	2-6

## 1-4 Contacting Supermicro

### Headquarters

Address: Super Micro Computer, Inc.  
980 Rock Ave.  
San Jose, CA 95131 U.S.A.

Tel: +1 (408) 503-8000

Fax: +1 (408) 503-8008

Email: [marketing@supermicro.com](mailto:marketing@supermicro.com) (General Information)  
[support@supermicro.com](mailto:support@supermicro.com) (Technical Support)

Web Site: [www.supermicro.com](http://www.supermicro.com)

### Europe

Address: Super Micro Computer B.V.  
Het Sterrenbeeld 28, 5215 ML  
's-Hertogenbosch, The Netherlands

Tel: +31 (0) 73-6400390

Fax: +31 (0) 73-6416525

Email: [sales@supermicro.nl](mailto:sales@supermicro.nl) (General Information)  
[support@supermicro.nl](mailto:support@supermicro.nl) (Technical Support)  
[rma@supermicro.nl](mailto:rma@supermicro.nl) (Customer Support)

### Asia-Pacific

Address: Super Micro, Taiwan  
4F, No. 232-1, Liancheng Rd.  
Chung-Ho 235, Taipei County  
Taiwan, R.O.C.

Tel: +886-(2) 8226-3990

Fax: +886-(2) 8226-3991

Web Site: [www.supermicro.com.tw](http://www.supermicro.com.tw)

Technical Support:

Email: [support@supermicro.com.tw](mailto:support@supermicro.com.tw)

Tel: 886-2-8228-1366, ext.132 or 139

# Chapter 1

## Safety Guidelines

To avoid personal injury and property damage, carefully follow all the safety steps listed below when accessing your system or handling the components.

### 1-1 ESD Safety Guidelines

*Electric Static Discharge (ESD) can damage electronic components. To prevent damage to your system, it is important to handle it very carefully. The following measures are generally sufficient to protect your equipment from ESD.*

- Use a grounded wrist strap designed to prevent static discharge.
- Touch a grounded metal object before removing a component from the antistatic bag.
- Handle the RAID card by its edges only; do not touch its components, peripheral chips, memory modules or gold contacts.
- When handling chips or modules, avoid touching their pins.
- Put the card and peripherals back into their antistatic bags when not in use.

### 1-2 General Safety Guidelines

- Always disconnect power cables before installing or removing any components from the computer, including the backplane.
- Disconnect the power cable before installing or removing any cables from the backplane.
- Make sure that the backplane is securely and properly installed on the motherboard to prevent damage to the system due to power shortage.

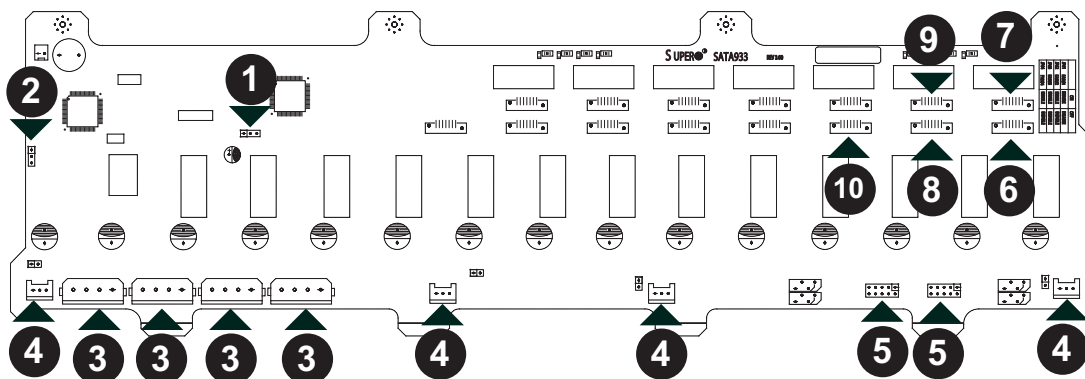
## **1-3 An Important Note to Users**

- All images and layouts shown in this user's guide are based upon the latest PCB Revision available at the time of publishing. The card you have received may or may not look exactly the same as the graphics shown in this manual.

## Chapter 2

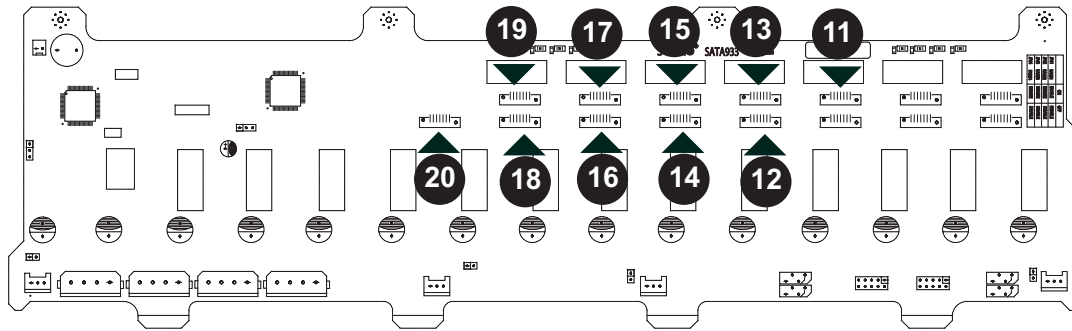
### Jumper Settings and Pin Definitions

#### 2-1 Front Connectors and Jumpers



#### Front Connectors

1. OH#1: JP25
2. OH#2: JP45
3. Power Connectors (4-pin): JP10, JP13, JP46 and JP48
4. Fan Connectors: JP54, JP56, JP58 and JP60
5. ACT\_IN#0-7: JP26 and ACT\_IN#8-14: JP47
6. SATA Port #0: J5
7. SATA Port #1: J6
8. SATA Port #2: J7
9. SATA Port #3: J8
10. SATA Port #4: J10



- 11. SATA Port #5: J12
- 12. SATA Port #6: J14
- 13. SATA Port #7: J16
- 14. SATA Port #8: J22
- 15. SATA Port #9: J23
- 16. SATA Port #10: J24
- 17. SATA Port #11: J25
- 18. SATA Port #12: J26
- 19. SATA Port #13: J29
- 20. SATA Port #14: J30



## 2-2 Front Connector and Pin Definitions

### 1. OH Temperature Connector

OH#1: JP25 and OH#2: JP45

Open: 45 degrees Celcius

1-2: 50 degrees Celcius

2-3: 55 degrees Celcius

### 2. Backplane Main Power Connectors

The 4-pin connectors designated JP10, JP13, JP46 and JP48 provide power to the backplane. See the table on the right for pin definitions.

Backplane Main Power 4-Pin Connector (JP10, JP13, JP46 and JP48)	
Pin# Definition	
1	+12V
2 and 3	Ground
4	+5V

### 5. Fan Connectors

The 3-pin connectors, designated JP61, JP62, JP63 and JP60, provide power to the fans. See the table on the right for pin definitions.

Fan Connectors (JP54, JP56, and JP60)	
Pin# Definition	
1	Ground
2	+12V
3	Tachometer

### 6. Activity LED Connector

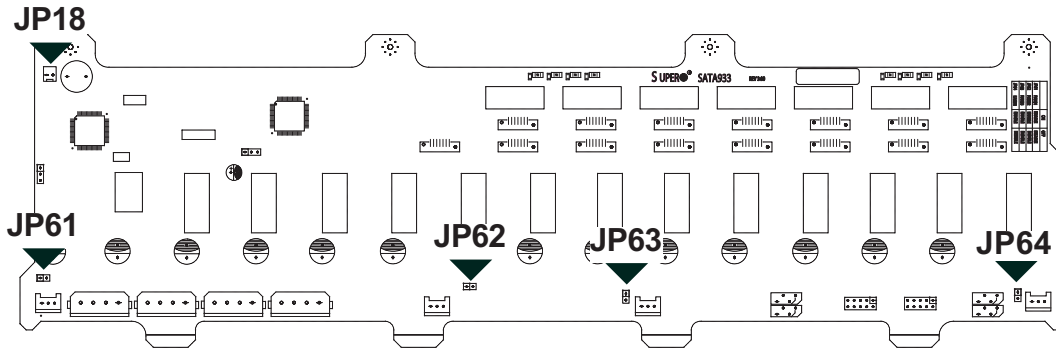
The activity LED connectors, designated JP26 and JP47 are used to indicate the activity status of each SAS drive. The Activity LED Connector is located on the front panel. For the Activity LED Header to work properly, connect using a 10-pin LED cable.

SAS Activity LED Header Pin Definitions (JP26)			
Pin # Definition		Pin # Definition	
1	ACT IN#0	6	ACT IN#4
2	ACT IN#1	7	ACT IN#5
3	ACT IN#2	8	ACT IN#6
4	ACT IN#3	9	ACT IN#7
5	Ground	10	Empty

### 7. SATA Ports

The SAS ports are used to connect the SAS drive cables. The 8 ports are designated #0 - #14. Each port is also compatible with SATA drives.

## 2-3 Front Jumper Locations and Pin Definitions



Socket Settings		
Socket	Socket Setting	Note
JP18	Connected to front panel	Buzzer Reset Press once to disable buzzer; Press twice to enable buzzer

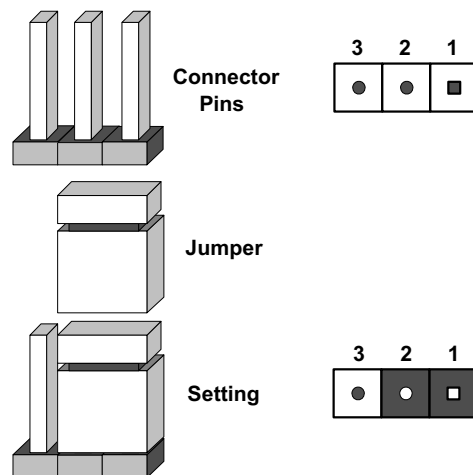
### Fan Jumper Settings

This backplane supports up to four fans. To utilize each fan, you must configure **both jumpers** as instructed below.

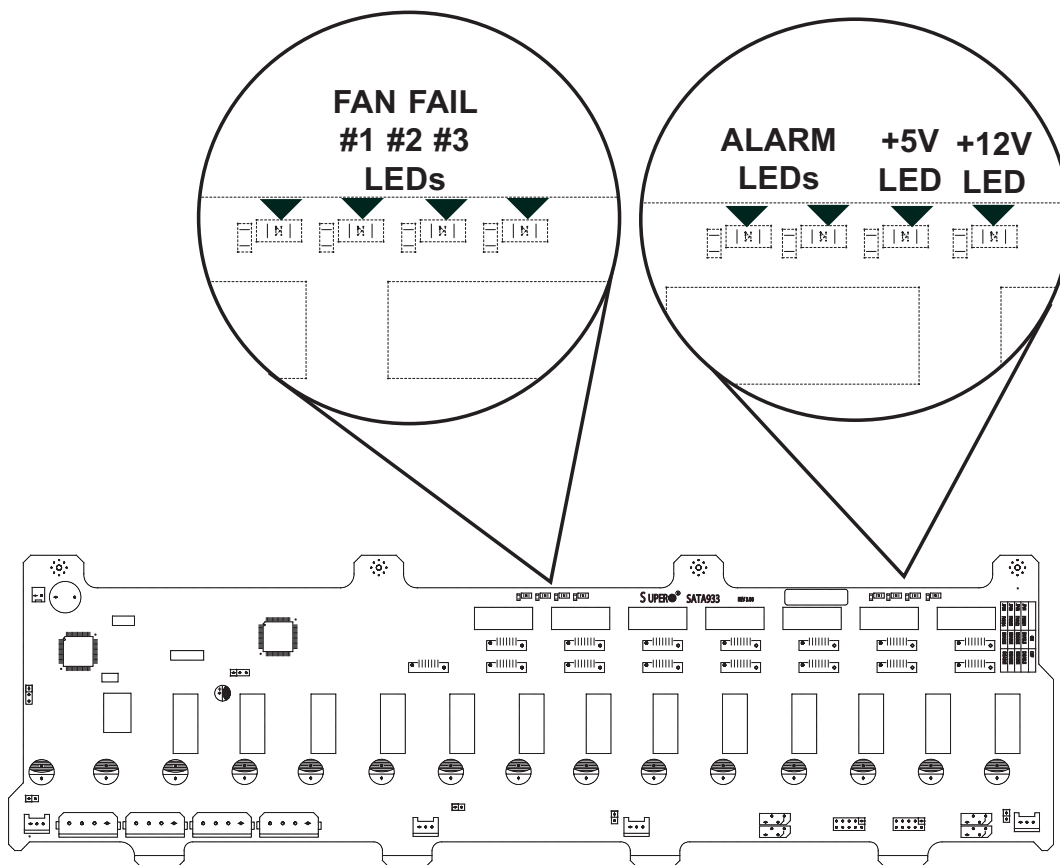
Fan Jumper Settings		
Jumper	Jumper Settings	Fan Number
JP61	1-2 On: Enable 2-3 Off: Disable	FAN #1
JP62	1-2 On: Enable 2-3 Off: Disable	FAN #2
JP63	1-2 On: Enable 2-3 Off: Disable	FAN #3
JP64	1-2 On: Enable 2-3 Off: Disable	FAN #4

### Explanation of Jumpers

To modify the operation of the backplane, jumpers can be used to choose between optional settings. Jumpers create shorts between two pins to change the function of the connector. Pin 1 is identified with a square solder pad on the printed circuit board. Note: On two pin jumpers, "Closed" means the jumper is on and "Open" means the jumper is off the pins.

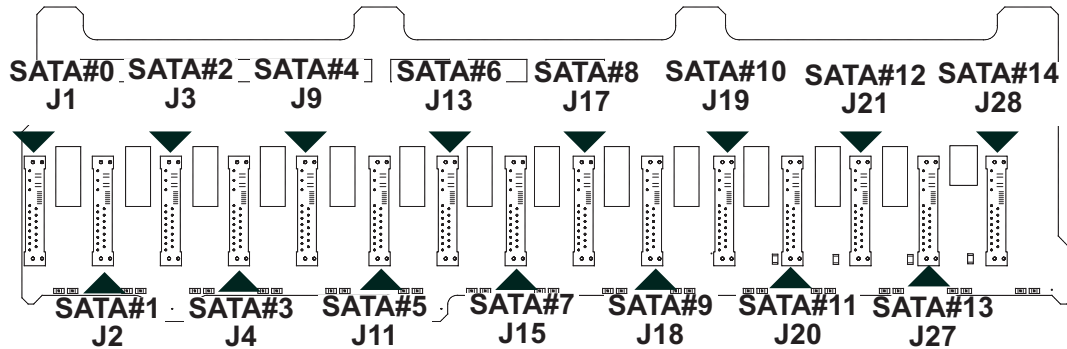


## Front LED Indicators

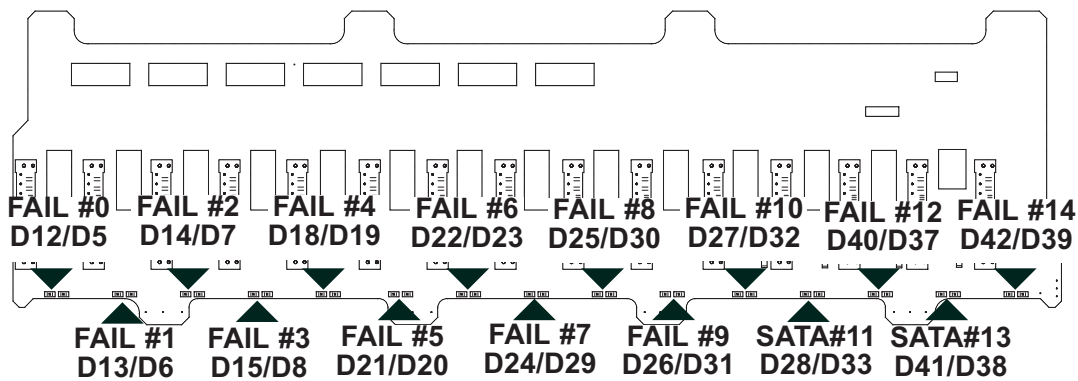


Front Panel LEDs		
LED	Normal State	Specification
Fan #1 Fail	Off	Failure in Fan #1
Fan #2 Fail	Off	Failure in Fan #2
Fan #3 Fail	Off	Failure in Fan #3
Fan #4 Fail	Off	Failure in Fan #4
Alarm #1	Off	Overheat/Fan Failure
Alarm #2	Off	Overheat/Fan Failure
+5V	On	Backplane power failure. Light is on during normal operation.
+12V	On	Backplane power failure. Light is on during normal operation.

## 2-4 Rear Connectors and LED Indicators



Rear SATA Connectors	
Rear Connector	SATA Drive Number
SATA #0	SATA HDD #0
SATA #1	SATA HDD #1
SATA #2	SATA HDD #2
SATA #3	SATA HDD #3
SATA #4	SATA HDD #4
SATA #5	SATA HDD #5
SATA #6	SATA HDD #6
SATA #7	SATA HDD #7
SATA #8	SATA HDD #8
SATA #9	SATA HDD #9
SATA #10	SATA HDD #10
SATA #11	SATA HDD #11
SATA #12	SATA HDD #12
SATA #13	SATA HDD #13
SATA #14	SATA HDD #14



Rear LED Indicators		
Rear LED	Hard Drive Activity	Failure LED
FAIL #0	D12	D5
FAIL #1	D13	D6
FAIL #2	D14	D7
FAIL #3	D15	D8
FAIL #4	D18	D19
FAIL #5	D21	D20
FAIL #6	D22	D23
FAIL #7	D24	D29
FAIL #8	D25	D30
FAIL #9	D26	D31
FAIL #10	D27	D32
FAIL #11	D28	D33
FAIL #12	D40	D37
FAIL #13	D41	D38
FAIL #14	D42	D39

# Notes